

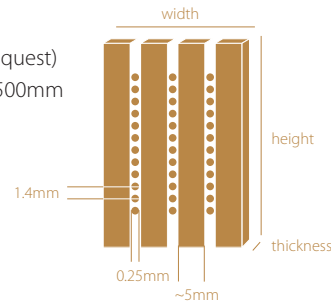
LUMINOSO

single-layer, translucent material panel

Product: Panel size Height x Width x Thickness [mm]
 3000 x 500 x T, 3000 x 1000 x T, 3000 x 1250 x T*
 T = 6**, 8**, 10, 12, 14, 16, 18, 20mm (others available upon request)
 *requires 16mm min. thickness ** only available in 3000 x 500mm

Wood thickness between fibres: ~5mm
Fibre optic conductor: Ø 0.25mm
Conductor spacing: 1.4mm
Surface finish: Calibrated, polished, grain 120, untreated
Tongue & groove: From a panel thickness of 10mm, the panels can be equipped with tongue and groove on the long side.

Attachment: Panels must be attached to allow for shrinkage and swelling.



Wood varieties: Hard maple, black walnut, oak, black cherry, smoked oak, teak, wenge

Technical information to EN 13353:2003 (D)

Norms

Field of application to SWP1 Solid wooden panels for use: In dry areas in accordance with usage class 1: Without risk of moisture penetration +20°C and relative humidity < 65%	ENV 1995-1-1:1993 and biological risk class 1 to EN 335-2:1992
Dimensional tolerances on delivery: Length and width: ± 2.0mm Thickness: ± 1.0mm Edge straightness: 1.0mm/m Rectangularity: 1.0mm/m	EN 14322
Moisture content on delivery: Use in dry areas SWP1: (8 ± 2)%	EN 322
Quality of adhesion: Use in dry areas SWP1 Duroplastic adhesive: 2K	CEN/TS 13354
Free from formaldehyde or PCP	
Behaviour in the event of fire: Flammability class (10-50mm) D Smoke formation class s2	EN ISO 11925-2, EN 13823
Strength of solid wooden panel: 5% quantile of shear strength: <0.8N/mm ²	according to EN 326-1/2 EN 13354
Fibre optic conductor: Material: PMMA, UV-resistant	
Biological durability: Risk of attack when used in dry areas to SWP1: Hazard class 1	EN 335-2, EN 460
Mechanical properties for non load-bearing purposes: Shrinkage and swelling Suitability for surface treatment Wall and ceiling panelling Bending radii recommended	EN 318 ENV 635-4 EN 12871 Thickness = 4mm, Radius ≥ 600mm Thickness = 6mm, Radius ≥ 800mm Thickness = 10mm, Radius ≥ 1500mm Thickness = 20mm, Radius ≥ 6000mm
Evidence of compliance: Third-party monitoring by accredited test institution Holzforschung Austria (HFA)	EN 13353



LUMINOSO
WOOD DESIGN IN A NEW LIGHT

Litwork GmbH
 Schweizerstr. 35
 6844 Altach | Austria
 T +43 (0)557 620852
 F +43 (0)557 4209 10060

office@luminoso.at
www.luminoso.at

Version: Sep 2011